



# Care and Maintenance of the Liko:

## Mobile Lifts

## Ceiling Lifts

## Sit to Stand Lifts

## Lift Stretchers

English  
7EN180818-02  
2013-01-23

*This instruction applies to Liko mobile lifts, ceiling lifts, sit to stand lifts, and lift stretchers, yet in this text we refer only to lifts.*

To avoid possible transmission of infectious disease, it is important to clean the lift if it has become soiled or if it is to be used by another patient. Also refer to your facility's cleaning and disinfection policies for any additional guidelines on frequency.

It is important to follow the recommendations in this manual to maintain the warranty and expected life time.

This manual gives detailed cleaning and disinfecting procedures for Liko lifts. The instructions in this manual do not replace your facility's cleaning and disinfection policies.

This manual is intended for use by facility-approved persons only. To ignore this restriction could cause severe injury to people and serious damage to equipment.

Liko/Hill-Rom recommends that the lift be disinfected prior to first use.

Liko/Hill-Rom recommends to disinfect the lift prior to disposal in accordance with local environmental regulations.

Liko's products undergo continuous development, which is why we reserve the right to make product changes without prior notice. The only warranty Liko/Hill-Rom makes is the express written warranty extended on the sale or rental of its products.

The information contained in this manual is subject to change without notice. Visit our website [www.liko.com](http://www.liko.com) for updated versions of this manual or contact your local Liko/Hill-Rom representative for advice or more information.

### **Safety recommendations**

- Wear protective equipment according to manufacturer's instruction and per facility protocol throughout the cleaning operations, such as: rubber gloves, goggles, apron, face mask and shoe covers.
- Unplug mains (AC power source) before cleaning and disinfection.
- Never clean the lift by pouring water on it, steam cleaning it, or by using a high-pressure jet.
- Refer to the recommendations made by the cleaning and disinfecting product manufacturer.

**△ Inadequate cleaning may increase risk of cross contamination!**

## Application of commonly used Cleaning / Disinfectants on Liko products

Chemical class	Active ingredient	pH	Cleaners / Disinfectant *)	Manufacturer *)	May not be used on the following items:
Quaternary ammonium chloride	Didecyl dimethyl ammonium chloride = 8.704% Alkyl dimethyl benzyl ammonium chloride = 8.19%	9.0 – 10.0 in use	Virex II (256)	Johnson/Diversey	Foot rest for Sabina™ and Roll-On™
Quaternary ammonium chloride	Alkyl dimethyl benzyl ammonium chloride = 13.238% Alkyl dimethyl ethylbenzyl ammonium chloride = 13.238%	9.5 in use	HB Quat 25L	3M	
Accelerated Hydrogen Peroxide	Hydrogen Peroxide 0.1 -1.5% BenzylAlcohol: 1-5% Hydrogen Peroxide 0.1 -1.5% BenzylAlcohol: 1-5%	3	Oxivir Tb	Johnson/Diversey	The lift straps for Golvo™ and ceiling lifts
Phenolic	Ortho-Phenylphenol = 3.40% Ortho-Benzyl-para-Chlorophenol = 3.03	3.1 +/- 0.4 in use	Wexcide	Wexford Labs	
Bleach	Sodium hypochlorite	12.2	Dispatch	Caltech	The lift straps for Golvo™ and ceiling lifts
Alcohol	Isopropyl alcohol = 70%	5.0 – 7.0	Viraguard	Veridien	Hand controls for all lifts
Quaternary ammonium	n-Alkyl dimethyl benzyl ammonium chlorides = 0.105% n-Alkyl dimethyl ethylbenzyl ammonium chlorides = 0.105%	11.5 - 12.5	CSI	Central Solutions Inc.	Viking™, Liko M220™, Liko M230™, Uno™, Sabina™, Golvo™, LikoLight™, Roll-On™, Likoral™, Multirall™
Benzyl-C12-18-alkyldimethylammonium, chlorides	Benzyl-C12-18-alkyldimethylammonium, chlorides (22 %) 2-Phenoxyethanol (20 %) Tridecylpolyethylenglycolether (15 %) Propan-2-ol (8 %)	approx 8.6 in use	Terralin Protect	Shülke	Foot rest for Sabina™ and Roll-On™
Organic peroxide (type E, solid)	Magnesium monoperoxyphthalate hexahydrate (50-100%) Anionic surfactant (5-10%) Nonionic surfactant (1-5%)	5.3 in use	Dismozon Pur	Bode	The lift straps for Golvo™ and ceiling lifts
Ethanol	Hydrogen peroxyde (2.5-10 %) Lauryldimethylamine oxid (0-2.5 %) Ethanol (2.5-10 %)	7	Anioxy-Spray WS	Anios	Control box for all mobile lifts
Trocirosene sodium	Adipic acid 10-30% Amorphous silica < 1% Sodium Toluene sulphonate 5-10 % Trocirosene sodium 10-30 %	4-6 in use	Chlor-Clean	Guest Medical Ltd	The lift straps for Golvo™ and ceiling lifts

\*) Or equivalent

## **Cleaning and Disinfection Recommendations**

All parts must be kept clean at all times in order to avoid the risk of infection. All necessary precautions must be taken to remove all visible stains and soiling.

The cleaning and disinfecting method described below applies specifically to this device and all its accessories and is designed to save time and to help combat nosocomial infections more effectively.

### **Equipment:**

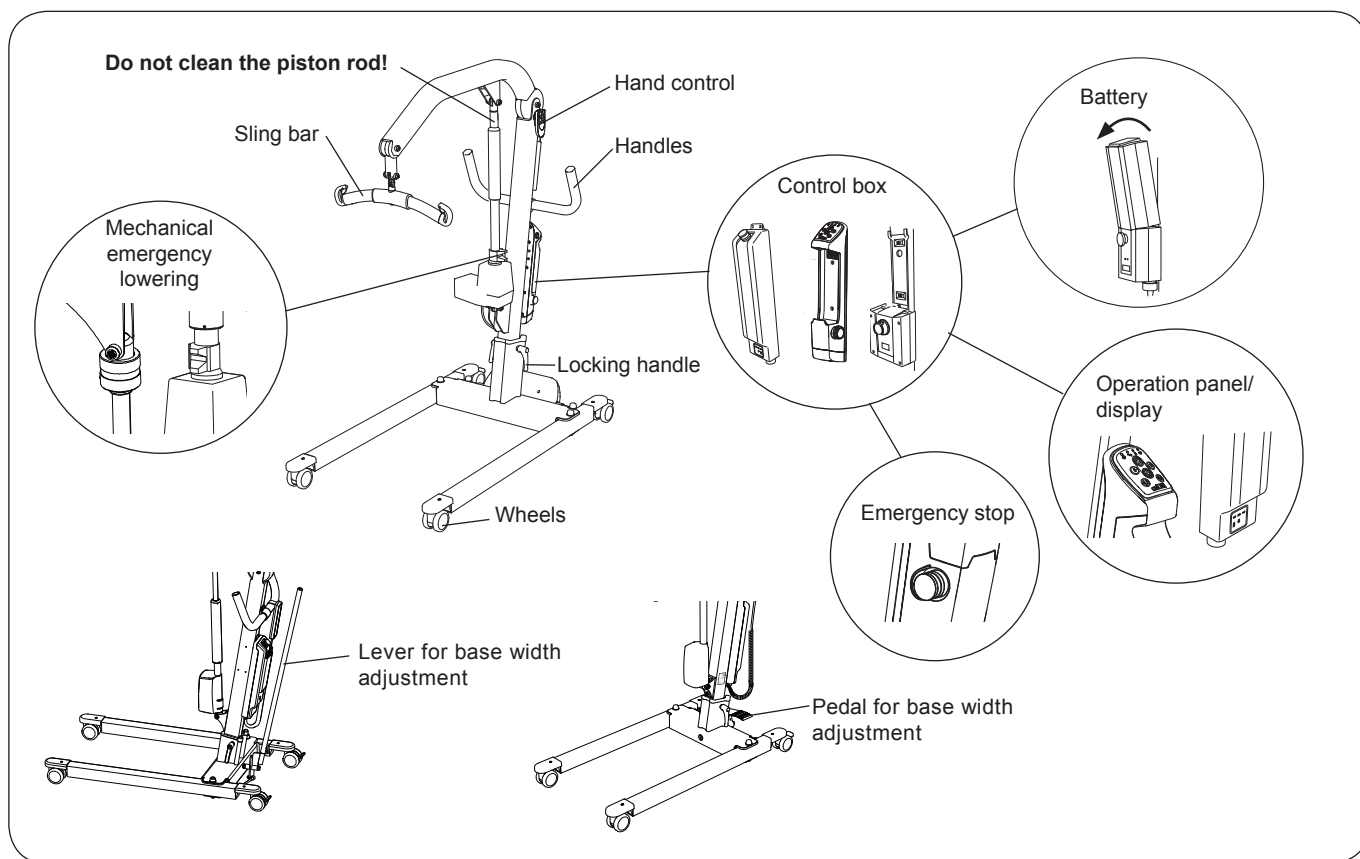
- Protective equipment (such as: rubber gloves, goggles, apron, face mask and shoe covers) as recommended by the facility protocol and manufacturers instructions
- Clean buckets
- Cloths for washing and drying
- Soft brush
- Warm water
- To find Cleaning / Disinfectants compatible or not compatible for use on Liko's products, follow the "Application of commonly used Cleaning / Disinfectants on Liko products" at page 2 in this document.

## Viking™ lift Cleaning Instruction

1. **△ Unplug mains (AC power source) before cleaning and disinfection.**
2. Clean the lift with a moist cloth, using warm water and a facility approved neutral detergent. A soft brush can be used to remove stains and resistant soil.
3. Wipe down the entire lift starting from the top down. Do not use a cloth that is dripping wet. To have access to all areas run the lift into the highest and lowest positions and extend the base width adjustment entirely in and out. Remove the Battery to have access behind the battery.

**NOTE! Do not clean the piston rod!**

4. Pay special attention to the following areas:
  - Sling bar (different designs)
  - Mechanical emergency lowering (different designs)
  - Handles
  - Hand control (different designs)
  - Emergency stop
  - Operation panel/display (where applicable)
  - Lever for base width adjustment (where applicable)
  - Pedal for base width adjustment (where applicable)
  - Locking handles
  - Wheels



### Disinfect

Repeat the cleaning instructions after reading the "Application of commonly used Cleaning / Disinfectants on Liko products" at page 2 in this document. Follow the manufacturer's instructions for proper use of the disinfectant. After you disinfect the lift, wipe the lift with a moist cloth using clean water to remove all disinfectant residue.

**△ The lift may not be cleaned with CSI or equivalent.**

**The hand control may not be cleaned with Viraguard or equivalent.**

**The control box may not be cleaned with Anioxy Spray or equivalent.**

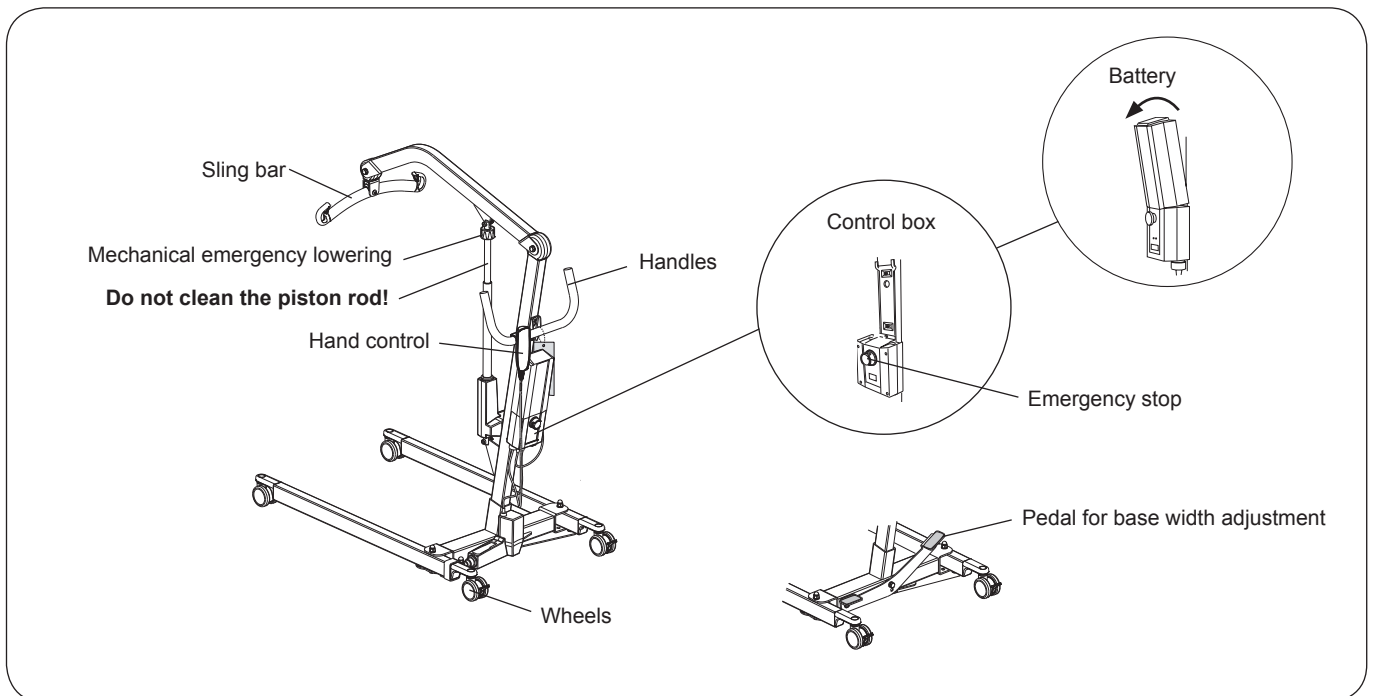
## Liko M220™/Liko M230™ lifts

### Cleaning Instruction

1. **△ Unplug mains (AC power source) before cleaning and disinfection.**
2. Clean the lift with a moist cloth, using warm water and a facility approved neutral detergent. A soft brush can be used to remove stains and resistant soil.
3. Wipe down the entire lift starting from the top down. Do not use a cloth that is dripping wet. To have access to all areas run the lift into the highest and lowest positions and extend the base width adjustment entirely in and out. Remove the Battery to have access behind the battery.

**NOTE! Do not clean the piston rod!**

4. Pay special attention to the following areas:
  - Sling bar
  - Mechanical emergency lowering
  - Handles
  - Hand control
  - Emergency stop
  - Pedal for base width adjustment (where applicable)
  - Wheels



### Disinfect

Repeat the cleaning instructions after reading the "Application of commonly used Cleaning / Disinfectants on Liko products" at page 2 in this document. Follow the manufacturer's instructions for proper use of the disinfectant. After you disinfect the lift, wipe the lift with a moist cloth using clean water to remove all disinfectant residue.

**△ The lift may not be cleaned with CSI or equivalent.**

**The hand control may not be cleaned with Viraguard or equivalent.**

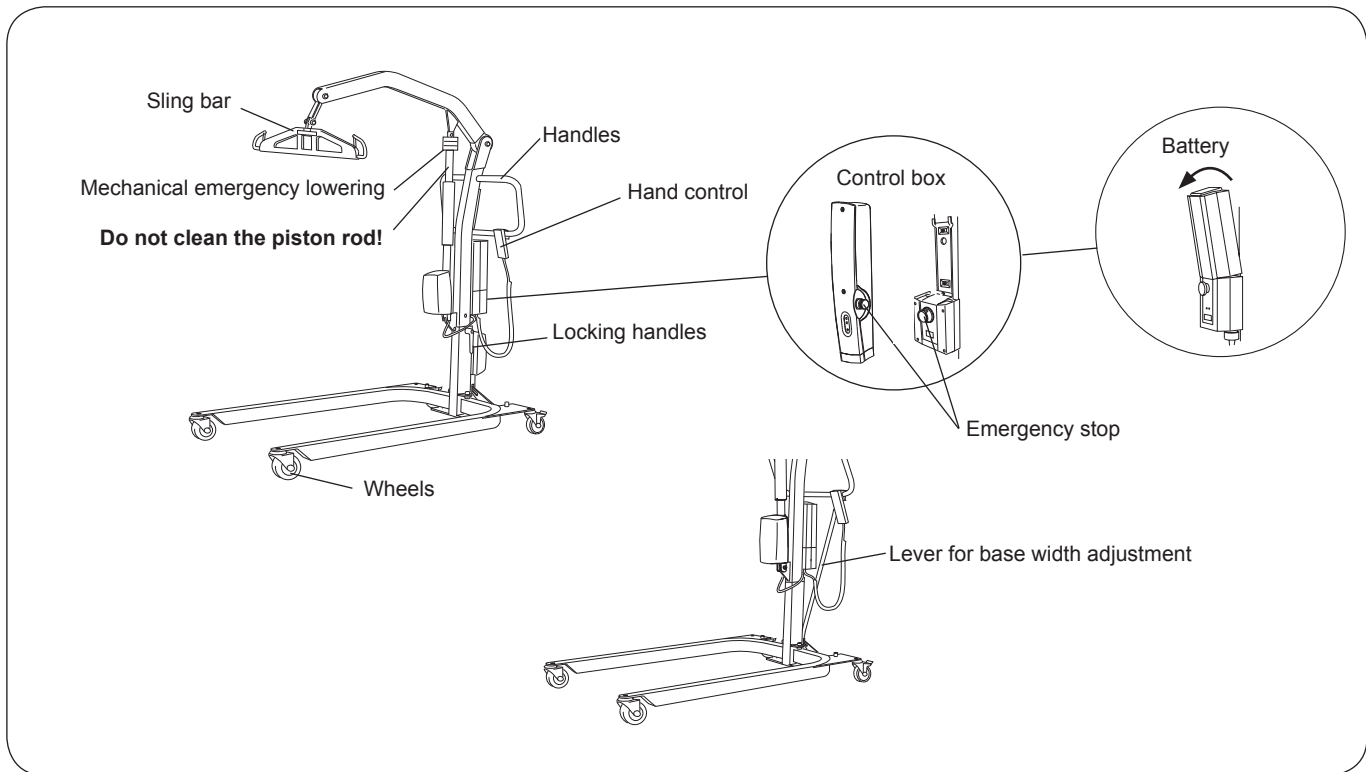
**The control box may not be cleaned with Anioxy Spray or equivalent.**

## Uno™ lift Cleaning Instruction

1. **△ Unplug mains (AC power source) before cleaning and disinfection.**
2. Clean the lift with a moist cloth, using warm water and a facility approved neutral detergent. A soft brush can be used to remove stains and resistant soil.
3. Wipe down the entire lift starting from the top down. Do not use a cloth that is dripping wet. To have access to all areas run the lift into the highest and lowest positions and extend the base width adjustment entirely in and out. Remove the Battery to have access behind the battery.

**NOTE! Do not clean the piston rod!**

4. Pay special attention to the following areas:
  - Sling bar (different designs)
  - Mechanical emergency lowering
  - Handles
  - Hand control
  - Emergency stop
  - Lever for base width adjustment (where applicable)
  - Locking handles
  - Wheels



### Disinfect

Repeat the cleaning instructions after reading the "Application of commonly used Cleaning / Disinfectants on Liko products" at page 2 in this document. Follow the manufacturer's instructions for proper use of the disinfectant. After you disinfect the lift, wipe the lift with a moist cloth using clean water to remove all disinfectant residue.

**△ The lift may not be cleaned with CSI or equivalent.**

**The hand control may not be cleaned with Viraguard or equivalent.**

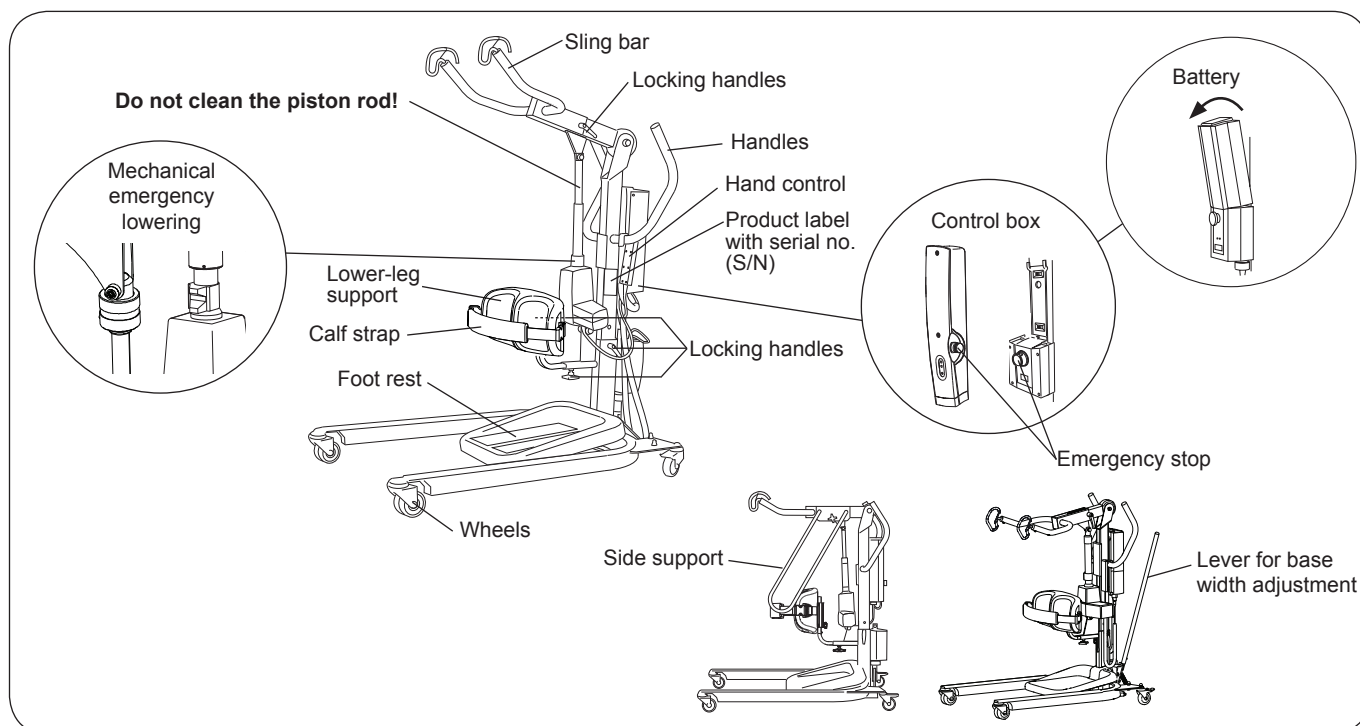
**The control box may not be cleaned with Anioxy Spray or equivalent.**

## Sabina™ lift Cleaning Instruction

1. **⚠ Unplug mains (AC power source) before cleaning and disinfection.**
2. Clean the lift with a moist cloth, using warm water and a facility approved neutral detergent. A soft brush can be used to remove stains and resistant soil.
3. Wipe down the entire lift starting from the top down. Do not use a cloth that is dripping wet. To have access to all areas run the lift into the highest and lowest positions and extend the base width adjustment entirely in and out. Remove the Battery to have access behind the battery. The calf strap may be machine washed 60-80°C (140-176°F), see "Care and Maintenance of Liko Slings" for more information.

**NOTE! Do not clean the piston rod!**

4. Pay special attention to the following areas:
  - Sling bar (different designs)
  - Side support (where applicable)
  - Handles
  - Mechanical emergency lowering (different designs)
  - Hand control
  - Emergency stop
  - Lower-leg support
  - Foot rest
  - Locking handles
  - Wheels
  - Lever for base width adjustment (where applicable)



### Disinfect

Repeat the cleaning instructions after reading the "Application of commonly used Cleaning / Disinfectants on Liko products" at page 2 in this document. Follow the manufacturer's instructions for proper use of the disinfectant. After you disinfect the lift, wipe the lift with a moist cloth using clean water to remove all disinfectant residue.

**⚠ The lift may not be cleaned with CSI or equivalent.**

**The hand control may not be cleaned with Viraguard or equivalent.**

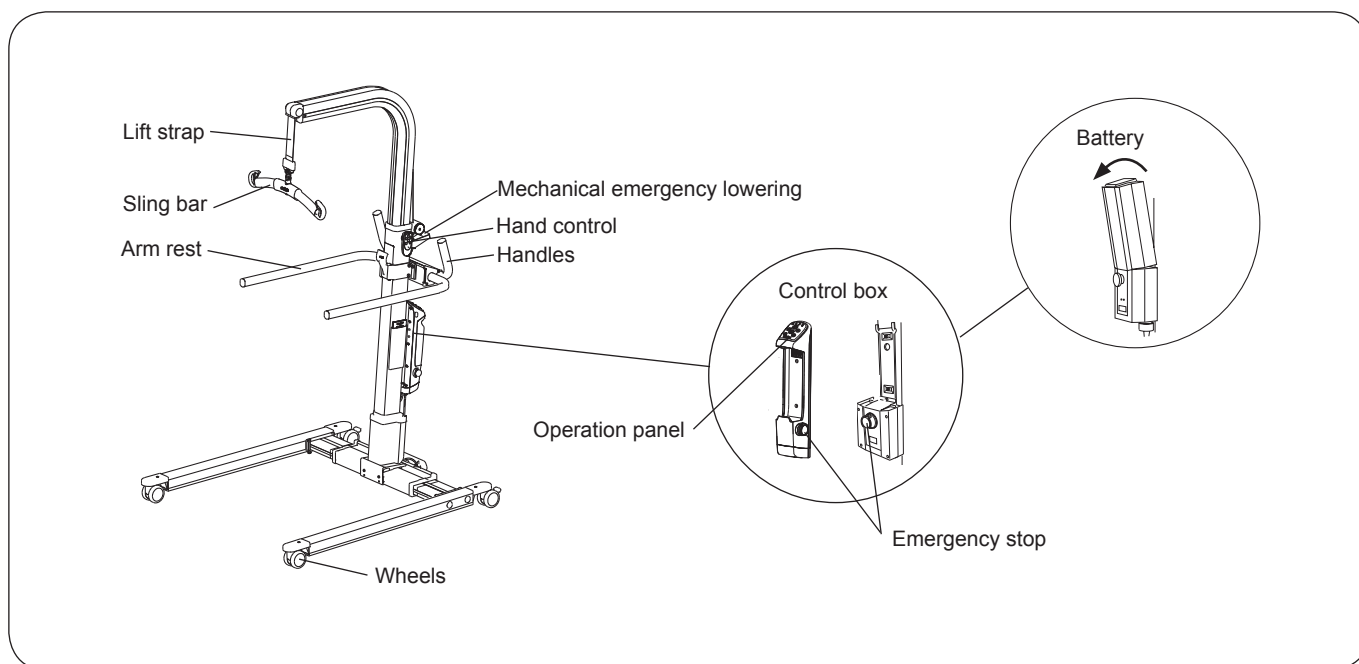
**The control box may not be cleaned with Anioxy Spray or equivalent.**

**The foot rest may not be cleaned with Terralin Protect, Virex II or equivalent.**

**The leg support on Sabina II, S/N up to 460899 and leg support on Sabina 200, S/N up to 3501599 may only be cleaned with warm water and a facility approved neutral detergent. The leg support on Sabina II S/N from 460900 and leg support on Sabina 200, S/N from 3501600 may be cleaned with the recommended disinfectants.**

## Golvo™ lift Cleaning Instruction

1. **⚠ Unplug mains (AC power source) before cleaning and disinfection.**
2. Clean the lift with a moist cloth, using warm water and a facility approved neutral detergent. A soft brush can be used to remove stains and resistant soil.
3. Wipe down the entire lift starting from the top down. Do not use a cloth that is dripping wet. To have access to all areas run the lift into the highest and lowest positions and extend the base width adjustment entirely out. Remove the Battery to have access behind the battery. Lower the sling bar to get access to the whole lift strap. Fully extend the lift strap by using the emergency lowering. After cleaning the lift strap, and before you raise the sling bar, make sure the lift strap has dried. After the emergency lowering device is used, the lifting level needs to be restored; see the Instruction Guide for the Golvo lift.
4. Pay special attention to the following areas:
  - Lift strap
  - Sling bar (different designs)
  - Arm rest
  - Mechanical emergency lowering
  - Hand control (different designs)
  - Handles
  - Operation panel (where applicable)
  - Emergency stop
  - Wheels



### Disinfect

Repeat the cleaning instructions after reading the "Application of commonly used Cleaning / Disinfectants on Liko products" at page 2 in this document. Follow the manufacturer's instructions for proper use of the disinfectant.

After you disinfect the lift, wipe the lift with a moist cloth using clean water to remove all disinfectant residue.

**⚠ The lift may not be cleaned with CSI or equivalent.**

**The hand control may not be cleaned with Viraguard or equivalent.**

**The control box may not be cleaned with Aniox Spray or equivalent.**

**The lift strap may not be cleaned with Oxivir Tb, Dispatch, Chlor-Clean, Dismozon Pur or equivalent.**

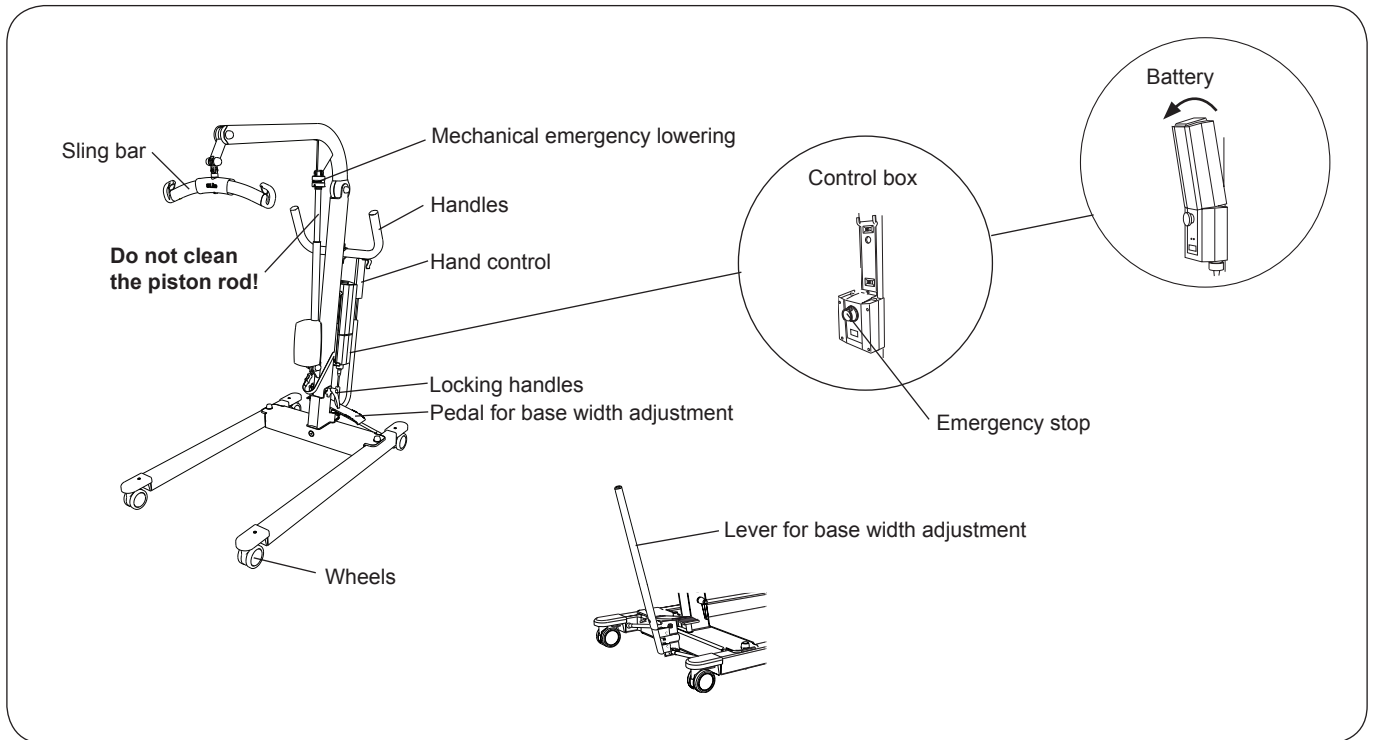


## LikoLight™ lift Cleaning Instruction

1. **⚠ Unplug mains (AC power source) before cleaning and disinfection.**
2. Clean the lift with a moist cloth, using warm water and a facility approved neutral detergent. A soft brush can be used to remove stains and resistant soil.
3. Wipe down the entire lift starting from the top down. Do not use a cloth that is dripping wet. To have access to all areas run the lift into the highest and lowest positions and extend the base width adjustment entirely in and out. Remove the Battery to have access behind the battery.

**NOTE! Do not clean the piston rod!**

4. Pay special attention to the following areas:
  - Sling bar (different designs)
  - Mechanical emergency lowering
  - Handles
  - Hand control
  - Emergency stop
  - Pedal for base width adjustment
  - Lever for base width adjustment (where applicable)
  - Locking handles
  - Wheels



### Disinfect

Repeat the cleaning instructions after reading the "Application of commonly used Cleaning / Disinfectants on Liko products" at page 2 in this document. Follow the manufacturer's instructions for proper use of the disinfectant. After you disinfect the lift, wipe the lift with a moist cloth using clean water to remove all disinfectant residue.

**⚠ The lift may not be cleaned with CSI or equivalent.**

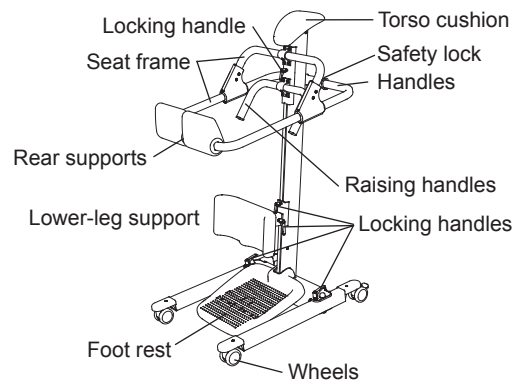
**The hand control may not be cleaned with Viraguard or equivalent.**

**The control box may not be cleaned with Anioxy Spray or equivalent.**

## RollOn™ lift

### Cleaning Instruction

1. Clean the lift with a moist cloth, using warm water and a facility approved neutral detergent. A soft brush can be used to remove stains and resistant soil.
2. Wipe down the entire lift starting from the top down. Do not use a cloth that is dripping wet.
3. Pay special attention to the following areas:
  - Torso cushion
  - Safety lock
  - Handles
  - Seat frame
  - Raising handles
  - Rear supports
  - Locking handles
  - Lower-leg support
  - Foot rest
  - Wheels



### Disinfect

Repeat the cleaning instructions after reading the "Application of commonly used Cleaning / Disinfectants on Liko products" at page 2 in this document. Follow the manufacturer's instructions for proper use of the disinfectant. After you disinfect the lift, wipe the lift with a moist cloth using clean water to remove all disinfectant residue.

**△ The lift may not be cleaned with CSI or equivalent.**

**The foot rest may not be cleaned with Terralin Protect or Virex II or equivalent.**

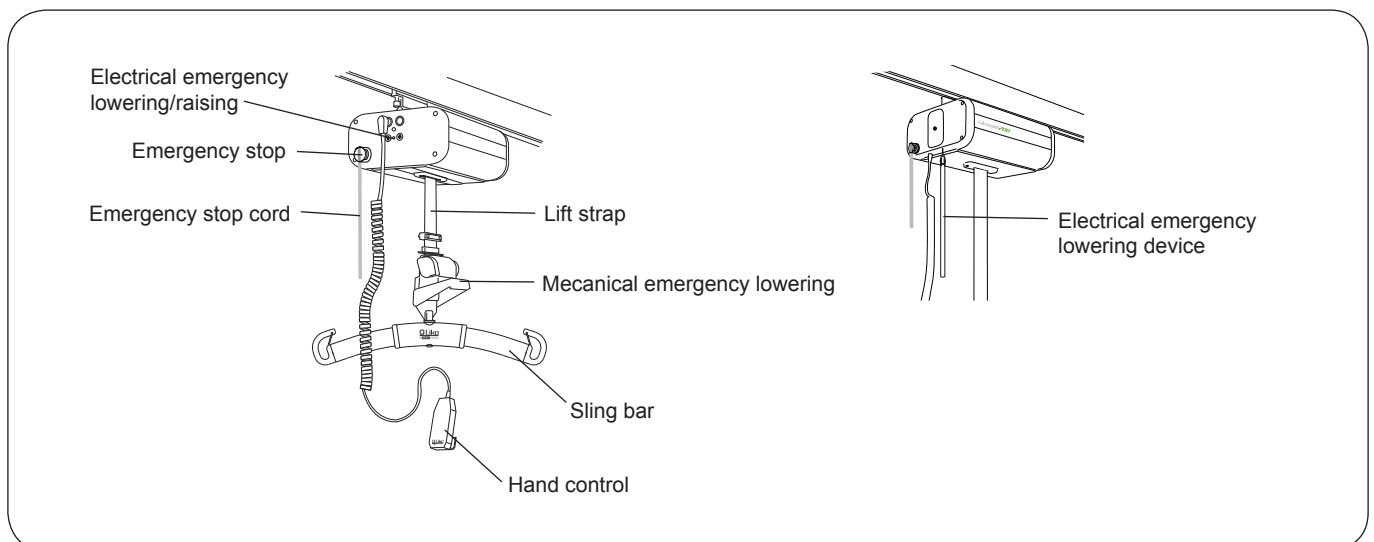
## Likorall™ lift

### Cleaning Instruction

1. **⚠ Unplug mains (AC power source) before cleaning and disinfection.**
2. Clean the lift with a moist cloth, using warm water and a facility approved neutral detergent. A soft brush can be used to remove stains and resistant soil.
3. Wipe down the entire lift starting from the top down. Do not use a cloth that is dripping wet. Lower the sling bar to get access to the whole lift strap. After cleaning the lift strap and before you raise the sling bar, make sure the lift strap has dried.

*The Likorall lift with mechanical emergency lowering:* fully extend the lift strap by using the mechanical emergency lowering. After cleaning the lift strap and before you raise the sling bar, make sure the lift strap has dried. After the mechanical emergency lowering device is used, the lifting level needs to be restored; see the Instruction Guide for the Likorall lift.

4. Pay special attention to the following areas:
  - Lift strap
  - Electrical emergency lowering/raising
  - Emergency stop
  - Emergency stop cord
  - Mechanical emergency lowering (where applicable)
  - Sling bar (different designs)
  - Hand control (different designs)
  - Electrical emergency lowering device (where applicable)



### Disinfect

Repeat the cleaning instructions after reading the "Application of commonly used Cleaning / Disinfectants on Liko products" at page 2 in this document. Follow the manufacturer's instructions for proper use of the disinfectant. After you disinfect the lift, wipe the lift with a moist cloth using clean water to remove all disinfectant residue.

**⚠ The lift may not be cleaned with CSI or equivalent.**

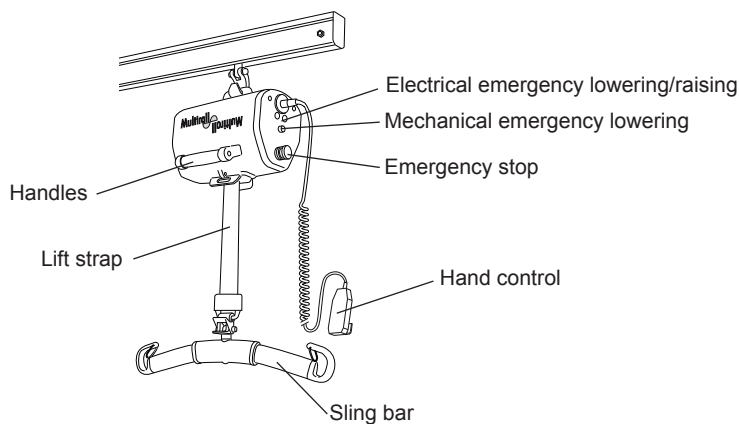
**The hand control may not be cleaned with Viraguard or equivalent.**

**The lift strap may not be cleaned with Oxivir Tb, Dispatch, Chlor-Clean, Dismozon Pur or equivalent.**

## Multirall™ lift

### Cleaning Instruction

1. **△ Unplug mains (AC power source) before cleaning and disinfection.**
2. Clean the lift with a moist cloth, using warm water and a facility approved neutral detergent. A soft brush can be used to remove stains and resistant soil.
3. Wipe down the entire lift starting from the top down. Do not use a cloth that is dripping wet. Lower the sling bar to get access to the whole lift strap. After cleaning the lift strap and before you raise the sling bar, make sure the lift strap has dried.
4. Pay special attention to the following areas:
  - Electrical emergency lowering/raising
  - Mechanical emergency lowering
  - Emergency stop
  - Handles
  - Lift strap
  - Hand control
  - Sling bar (different designs)



### Disinfect

Repeat the cleaning instructions after reading the "Application of commonly used Cleaning / Disinfectants on Liko products" at page 2 in this document. Follow the manufacturer's instructions for proper use of the disinfectant. After you disinfect the lift, wipe the lift with a moist cloth using clean water to remove all disinfectant residue.

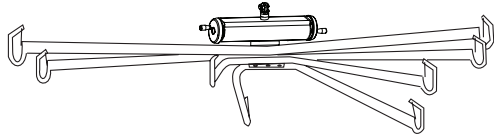
**△ The lift may not be cleaned with CSI or equivalent.**

**The hand control may not be cleaned with Viraguard or equivalent.**

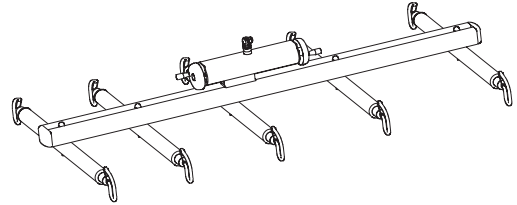
**The lift strap may not be cleaned with Oxivir Tb, Dispatch, Chlor-Clean, Dismozon Pur or equivalent.**

## Lift Stretchers Cleaning Instruction

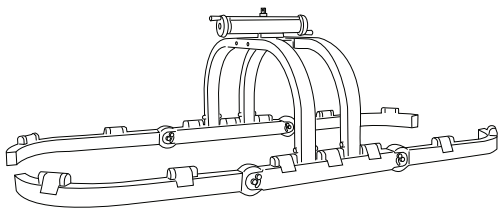
1. Clean the stretcher with a moist cloth, using warm water and a facility approved neutral detergent. A soft brush can be used to remove stains and resistant soil.
2. Wipe down the entire stretcher starting from the top down. Do not use a cloth that is dripping wet.



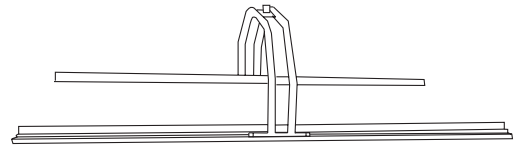
Liko OctoStretch™



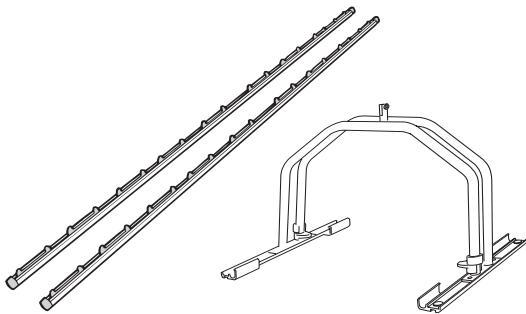
Liko FlexoStretch™/Liko UltraStretch™



LikoStretch 1900™



LikoStretch 1800™



LikoStretch Mod 600 IC™

### Disinfect

Repeat the cleaning instructions after reading the "Application of commonly used Cleaning / Disinfectants on Liko products" at page 2 in this document. Follow the manufacturer's instructions for proper use of the disinfectant. After you disinfect the stretcher, wipe the stretcher with a moist cloth using clean water to remove all disinfectant residue.

**△ The stretcher may not be cleaned with CSI or equivalent.**



A  Company

[www.liko.com](http://www.liko.com)

---

Liko AB  
Nedre vägen 100  
SE-975 92 Luleå  
Sweden  
[info@liko.se](mailto:info@liko.se)